
The pottery *by A Crowdy and D W Hall*

Introduction

The excavations by the Border Burghs Archaeology Project (BBAP) in Peebles and Kelso produced an important assemblage of medieval and later pottery, which has been combined for the purpose of this report with the results of a subsequent (1993–4) excavation carried out in Peebles by the Scottish Urban Archaeological Trust Ltd (SUAT). This combined report includes a site-by-site description of the pottery assemblages and finally an overall discussion of the implications of the assemblage as a whole.

Excavations in Kelso *by A Crowdy*

General Introduction

A total of 6,633 pottery sherds were recovered from the excavations in Kelso at 13–19 Roxburgh Street, Chalkheugh Terrace and Wester Kelso/Floors Castle, mostly of post-medieval and later date, with the exception of an important medieval group from Wester Kelso/Floors Castle Trench 3.

Field walking has in the past revealed a number of medieval pottery scatters from the greater Kelso area, mainly from around the sites of the former royal burgh of Roxburgh, Roxburgh Castle and south of the river Teviot, along its terrace at Springwood. The results of this field walking, has now been enhanced by excavations carried out by the BBAP at Springwood (Dixon 1998), which revealed three medieval homesteads and large quantities of probable locally made medieval Scottish White Gritty Ware.

The White Gritty Wares in this report are all treated as one type and, while the variation of inclusions is marked, no fabric division or provenancing has been attempted except as part of a wider White Gritty Ware research project, based at Glasgow University and funded by Historic Scotland (Will *et al* forthcoming). Most of the common Scottish White Gritty Ware forms were found in Kelso, in particular from Trench 3 at Wester Kelso/Floors Castle, where they were found sealed and associated with continental imports, which have provided valuable dating evidence. At 13–19 Roxburgh Street and Wester Kelso/Floors Castle Trench 2 the majority of the Scottish White Gritty Ware was residual, except for a small group found in the medieval terrace at Roxburgh Street, including enough to give a jug profile and an anthropomorphic face mask (Catalogue No 5). The fabric description for Scottish White Gritty is based on the Wester Kelso/Floors Castle Trench 3 assemblage.

The lack of sealed pottery groups and well defined stratigraphic evidence means that it is not possible to discern when the Reduced version of the White Gritty Wares appear, and what its relationship is to the main Scottish White Gritty industries. Often it is not possible to discriminate between the two, especially when they both show similar partial reduction and oxidisation. However evidence from the Kelso Abbey pit group would suggest that they run in tandem (Haggarty 1984).

The post-medieval Reduced Greywares in Kelso, like the rest of Scotland, are more commonly used for large storage vessels and jugs; their appearance is similar to the general class of Throsk-type Wares (Caldwell and Dean 1992). These wares are known to be part of the wider Scottish tradition and may have been produced at a local production site, although this has yet to be established.

Among the 17th- and 18th-century Red Earthenware pottery assemblages from Kelso is a notable group of Decorated Slipwares. At present only one slipware kiln site is known in Scotland at Westpans, just east of Musselburgh (G Haggarty pers comm), but a more likely source would be the known, but as yet unpublished, production site on the south bank of the Tweed at its estuary. Material from this location has been included in a pilot study funded by Historic Scotland and, until the Kelso material has been scientifically analysed, its provenance at present remains speculative.

Identification of fabric types

The pottery was sorted into fabrics by a x20 binocular microscope and examined by hand lens, in some cases aided by the use of thin sections. (At present, due to inability to make contact with the person who did this work, this data remains unavailable.) Fabric descriptions have been written for the majority of wares, but 19th- and 20th-century wares have been omitted.

Both the archive and the final report are divided into two sections: Scottish pottery and Imported pottery (English and Continental), with a distinction between medieval and post-medieval. All the fabric types not identified from other sites or kilns have been classed as unidentified, subject to future work.

1 13–19 Roxburgh Street, Kelso, 1983–4

A total of 2,528 sherds was excavated from this site, of which approximately 4% were medieval, 22% from

the late 17th-mid 18th centuries and 74% from the mid 18th century onwards.

The medieval pottery

Scottish White Gritty Ware (3%)

Fabric Description

Thickness: 30–100 mm

Texture: rough on cooking pots, generally smooth on jug inner surfaces.

Hardness: hard to very hard, almost vitrified on some storage jars, with everted and carinated rims with body sherds; fracture, irregular to finely irregular.

Colour (Munsell): outer surface, white 10YR 8/2, reddish yellow 5YR 6/6, very pale brown 10YR 7/4; core, grey 2.5YR n/6, reddish yellow 5YR 7/6, white 10YR 8/2, dark grey 2.5YR N/4; inner surface, white 10YR 8/2, reddish yellow 5YR 7/6, grey 2.5YR N/6, dark grey 2.5YR N/4, white 10YR 8/2.

Inclusions: quartz, fine to medium size, sparse amount; quartz, iron ore mica and the basic matrix, very fine to fine size, well sorted, abundant amount; quartz, coarse size, ill sorted, moderate amount; mica, very fine size, well sorted, moderate amount; quartzite, coarse to very coarse size, moderate amount.

Glaze: colourless, yellow, green, orange and brown.

Slip: was common in browns, reds and whites. All the vessels were wheel-made. Firing was in an oxidising atmosphere, while some sherds showed carbonised cores from incomplete oxidation.

The Scottish White Gritty Ware was not sub-divided, as previous research on this topic has suggested that the variability and palaeo-alluvium soils in its main inclusions is characteristic of boulder clay and not, therefore, a justification for assuming diverse origins for this type (Cox 1984; Crowdy 1986). A further reason for the variation in the amount of filler in the clay could be due to the deliberate sorting by the potter: cooking pots would demand a higher proportion of filler to clay to enhance its resistance to thermal shock when being constantly in contact with direct heat from the fire. Furthermore, the cooking pots and storage jars would be prone to shrinkage during drying and firing, and filler would, therefore, help to control this function by opening up the body, increasing porosity and reducing thermal shock.

Scottish White Gritty Ware was found in Phase 1, and in later phases where it is considered to be residual, the abraded condition of many of these sherds emphasising this point. The material from the medieval building terrace of Phase 1 was from a homogenous sample, and probably represents only one or two jugs. Forms identified overall from the assemblage were cooking pots/storage jars, and jugs. The jugs from the medieval terrace showed typical 13th/14th-century decoration with anthropomorphic facemasks, strap handles and small rod handles with a slash decoration, applied clay lines and pellets and incised wavy lines. One jug showed thumbing. No cooking pot/storage jar rims were found.

White Gritty Reduced Ware (31.1%)

Fabric Description

Thickness: 4–8 mm.

Texture: fairly hard, finely irregular fracture.

Colour: light grey 10YR 7/1 to grey 7.5YR N5 outer margin; grey 7.5YR N/5, to light grey 10YR 7/2 inner surface; occasionally there is a white patina underneath the outer glazed surface.

Inclusions: (this is only intended as a range), abundant very fine sorting of quartz, iron ore and mica in the basic matrix; quartz, fine to medium size, ill sorted, moderate to abundant amount.

Glaze: glossy dark olive green, to a lighter green.

Decoration: included clay strips, pellets and grooved lines.

Only jug forms were identified. Handles were strapped and thumbing onto the pot. One handle shows a potter's mark (Catalogue No 13) and one base sherd showed internal glazing.

Post-medieval pottery

Scottish Post-Medieval Reduced Ware (1%)

Vessel forms in this fabric include jugs and a possible cistern base (Catalogue No 20). Decoration includes combed and zigzag designs. These vessels are all wheel-thrown with knife-trimmed bases, and rilling marks are characteristic on their inner surfaces.

Scottish Post-Medieval Oxidised Ware (6%)

Vessel forms in this fabric include storage jars with handles and a single example of a tripod cooking pot. One handle shows stabbing marks and stacking marks and glaze drips were common on the underside of the bases.

These wares show strong Dutch influences and may be Scottish copies of continental imports, which could well have carried on unchanged until the 18th century, as seen at Norwich (Jennings 1981, 157).

Decorated Slipware (7%) (Cats 27–32)

Generally British slipwares of the 17th century show strong influences from Holland and Germany and, indeed, are the response of the home market for alternatives to the popular foreign imports. The shift in the production and trading patterns of the mercantile world in the post-medieval period are shown in the specialised manufacture and widespread distribution patterns of this pottery (Brears 1971). Metropolitan slipware from Essex is an example of this new industry and its dominance is noted at Newcastle, where it replaced the local wares in popularity during the 17th century (Ellison 1981, 150).

The slipwares from Kelso show no similarities to published types from other sites, both in this country or abroad (D Gaimster, H Janssen and H G Stephan, pers comm). The slipwares were found in an

assemblage of pottery from a series of pits dated from the mid 17th to early 18th century on coin and documentary evidence (see [Dixon and Perry](#), above).

Slipware

The Slipware forms appear in contexts dated to the late 17th century. Their fabric and finish are similar to the Glazed Red Earthenwares and Decorated Slipwares of the later period. The interior of the vessels has been covered with a white slip, then glazed to produce a distinctive yellow colour. The variety of forms includes pitchers, bowls and pancheons. The diameter of the bowl rims varies between 280–320 mm. The construction of these vessels was noticeably coarse and basic, with crude knife trimming and thickened bases. The storage jar forms are of a more standard construction than the earlier wares and display a more cohesive body, thinner walls and a more even application of slip. Clear lead glaze was commonly applied to the exterior of the vessel from the base up to the shoulder.

Sponged Slipware (5%)

The forms identified are bowl and storage jars.

Post-medieval

Imports, Continental

Stonewares

Frechen Bellarmine (Cats 22–24)

Bellarmine face mask and body sherds from the 17th century were identified ([Gaimster 1997](#), 208–23).

Westerwald Type Ware

One piece of possible Westerwald Stoneware was identified ([Gaimster 1997](#), 251–71).

Langerwehe

One small possible Langerwehe Stoneware handle was found ([Gaimster 1997](#), 186–90).

Regional English / Scottish Wares

The wares under this section comprise well established wares from various industrialised Scottish potteries. The Tin-Glazed Earthenwares may have been imported from various places prior to the production at the Delft factory in Glasgow in 1749. Both the forms and patterns of decoration in this assemblage have been paralleled by the material at the People's Palace Museum, Glasgow.

Brown Glazed Earthenware

The earliest of these wares appears in the late 17th-

or early 18th-century contexts at Kelso; they clearly precede the later proliferation of standardised brownwares in the 18th and 19th centuries. The earliest wares are storage vessels, while the later forms include various tablewares, such as teapots.

Slipware

These include Staffordshire-type Slipwares, with the notable slip trailing, pie crust rims (39) and press-moulded wares. Many variants of marbled, combed and trailed slip decorations were identified along with a few examples of Sgraffito Ware. Forms included plates and drinking vessels.

Other industrial wares

Other post-medieval fabrics found at this site were: Glazed Earthenwares; Creamware; Pearlware; Soft and hard paste Porcelain; Brown Stoneware (including large storage containers, and small ginger beer type bottles); White Salt-Glazed and Brown Stoneware.

2 Chalkheugh Terrace, Kelso, 1983–4

A total of 1,032 sherds of pottery was found, dating to the late 18th, 19th and 20th centuries (with the exception of two residual medieval sherds). The main wares were Glazed and Decorated Earthenwares, Decorated Creamwares, Tin Glazed Earthenwares and Stonewares.

3 Wester Kelso/Floors Castle Trench 2, 1984

A total of 242 sherds was found from this site, all of which were post-medieval, apart from ten pieces of residual Scottish White Gritty Ware.

Medieval

Scottish White Gritty Ware (4%)

These were generally much abraded, indicating that they were residual. A jug rim, strap handle and decorated body sherd were identified. Four bases, probably from cooking pot/storage jars were noted as having carbonised bases.

Post-Medieval

Local

Post-Medieval Reduced Wares (9%)

Most of these came from one storage vessel, which had a thickened base, 100–200 mm at the basal angle. The vessel was coarsely made with knife trimming and a stacking rim scar on the base. The

glaze was both on the interior and exterior of the vessel.

Post-medieval Oxidised Wares (10%)

There was a jug of a coarser fabric, but with the same characteristics. A very crude, flat, thickened storage jar base, glazed internally, a jug handle and a pipkin handle were noted.

Decorated Slip Ware (14%)

A small handle from an enclosed vessel was noted.

Other post-medieval fabrics from this site are Sponged Slipware (7%); Delft (8%); Creamware (5%); Brown Stoneware; White Saltglaze (5%); Brown Glazed Earthenware (13%); Sgraffito Ware; and Slipwares (12%).

4 Wester Kelso/Floors Castle Trench 3, 1984–5

A total of 2,831 sherds was excavated from this site, of which 92% was Scottish White Gritty Ware, 2% Reduced Greyware and the remaining 6% was post-medieval.

White Gritty Ware (2,665 sherds, 92%)

Due to the shattered nature of the assemblage no complete profiles of cooking pots, storage jars or jugs were identified, but comparisons between the rim, base and body sherds were undertaken. The rolled/beaded, everted and upright rims are diagnostic of the straight-sided cooking pot, common to Scottish White Gritty Ware, as are the thin, corrugated body sherds (30–50 mm), and the flattish right-angled bases (Brooks 1980; Cox 1984; Laing 1973). The proportion of sooting associated with these forms was high, in particular with the body sherds, and would seem to indicate that they were used for cooking. Of flat bases 66% were sooted, as were 100% of everted rolled rims. A base and rim form of a straight-sided cooking pot form (from the well) showed evidence of spalling and sooting, which probably occurred while being placed over direct heat. The straight-sided cooking pot form showed a higher degree of filler to fabric, matched only by the everted carinated rim forms, and associated body sherds. The advantage of coarsely filled fabric for cooking purposes has been mentioned above (see Fabric Description). Two sooted and thin corrugated body sherds showed pronounced roundness, which indicates that not all these cooking pots were straight-sided.

One rim form stands out as different (Catalogue No 51); in fabric it is coarser and more densely filled.

The clubbed rim forms had occasional lid seating and thumbing on the rims (Cats 85, 126). Glaze splashes and drips occurred on the bodies and bases. The sooting was significantly less on the bodies of

these forms and, probably, suggests their function was more commonly for storage.

The jug rims were generally upright, with variation in the rim form between upright and everted. The fabric was noticeably smoother and demonstrated the range of fabric and filler to form quite adequately (with the exception of some jug body sherds from the ditch). The handles were far coarser than the body fabric and were applied to the vessel by thumbing and slip at the rim and neck of the vessel. Decoration included pinched scales, applied pellets and strips, incised lines and an anthropomorphic facemask (Catalogue No 74). A few sherds showed interior glazing. The glazes, which partially covered the vessel, were translucent, clear yellow, orange brown and green. As mentioned above, it was difficult to discriminate between storage jars and jug bases, but thumbing was noted as being characteristic of the latter.

White Gritty Reduced Ware (49 sherds, 2%)

Only jug forms were identified.

Medieval imports

Developed Stamford Ware (Late 12th century) (1 sherd)

Fabric Description

Thickness: 5–8 mm.

Texture: smooth, hard with finely irregular fracture.

Colour (Munsell): core, white 10YR 8/2; inner surface, very pale brown 10YR 8/4.

Inclusions: sparse very fine rounded to subrounded quartz; moderate to sparse very fine rounded black and red iron ore; moderate very fine mica.

Kiln atmosphere: oxidising.

Glaze: green slightly patchy light and dark.

Decoration: incised lines around the shoulder.

Vessel type: jug, wheel-made with fine rilling marks. Identified by J G Hurst.

Yorkshire type Ware (4 sherds)

Thickness: 4–7 mm.

Texture: rough, fairly hard with finely irregular fracture.

Colour (Munsell): outer margin, light red 2.5YR 6/6; core and inner surface, grey 10YR 5/1.

Inclusions: abundant very fine to fine well sorted quartz; moderate fine well sorted black and red iron ore; dense compact matrix.

Kiln atmosphere: partial reduction and oxidisation.

Glaze: rich glossy dark green.

Decoration: included pellets and scales.

Vessel type: jug, wheel-made.

Unidentified English

Fifteen unidentified English sherds in six fabric types (see archive) were catalogued.

*Imports, continental**Unknown French (1 sherd)*

Thickness: 5 mm.

Texture: smooth, hard with a smooth fracture.

Colour (Munsell): core, white 10YR 8/1; inner surface, very pale brown 10YR 8/3.

Inclusions: the fabric was very dense with very fine quartz and black iron ore identified within the matrix.

Kiln atmosphere: oxidising.

Glaze: light green with blue line and dots of brown.

Decoration: pinched clay scales.

Vessel type: jug, wheel-made.

Andenne Ware (12th Century) (Verhaeghe 1983)
(5 sherds)

Thickness: 2–4 mm.

Texture: smooth, hard with finely irregular fracture.

Colour (Munsell): outer surface, pale yellow 2.5Y 8/4; core and inner surface, white 2.5Y 8/2.

Inclusions: abundant very fine rounded to subrounded quartz, sparse fine iron ore, moderate very fine mica; grass marks on surface noted.

Kiln atmosphere: oxidising.

Glaze: light yellow partially covering one sherd; a light slip on outer surface.

Vessel type: jug, wheel-made. Identified by J G Hurst.

Rhenish – Paffrath Ware (12th–13th century)
(1 sherd)

Thickness: 3.5 mm.

Texture: rough, very hard with finely irregular fracture.

Colour: grey 2.5YR N5/.

Fabric: near vitrification and very compact.

Inclusions: abundant very fine to fine rounded to subrounded quartz; grass marks on outer surface.

Kiln atmosphere: reducing.

Vessel type: cooking pot-storage jar? wheel-made. Identified by J G Hurst.

Discussion

Nearly all the Scottish White Gritty Ware forms at Floors Castle were represented by the large sample from the layer sealing the boundary ditch of Phase 1. Joining sherds from both this layer and from the upper levels of the well were found both for Scottish White Gritty Ware and a Yorkshire Type fabric. The remaining imports in this layer were unidentifiable, except for sherds from an Andenne vessel, which was also found in the fill of the pit of Phase 1. According to Verhaeghe, this ware was common in Scotland during the 12th century and was one of the earliest wares of relevance to reach Scotland (along with Pingsdorf and Paffrath Wares). It, apparently, had disappeared from the picture by 1200 (Verhaeghe 1983). Joining sherds of Scottish White Gritty ware forms were also found in the boundary ditch of Phase 1 and the fills of the stone-lined pit of Phase 2 which cut it.

The upper levels of the well appear to have been intermixed. The top three layers of the well show more variety in vessel form. The material from the Phase 1 pit had no diagnostic forms of Scottish White Gritty Wares and consisted only of body sherds. The joins in the pottery between the well, pit and their sealing layer would suggest that all these features were contemporary, while the Andenne Ware suggests at the earliest a 12th-century date for the pit.

Excavations in Peebles by D W Hall**4 Bridgeway***Introduction*

This excavation produced an assemblage of 2,292 sherds of pottery. This material has been identified by eye and is described by fabric using accepted names. No petrological examination has been carried out.

White Gritty Ware

This is the most common fabric in this assemblage (55%) and may represent a local product from an as yet unidentified source. Recent work has identified three potential production centres for this fabric in Lothian, Borders and Fife Regions (Haggarty *et al* 1984, 395; Hall 1997, 56). It may represent Scotland's earliest native pottery industry and in the Borders has been dated to the third quarter of the 12th century. This date is based on work at Kelso Abbey and at Jedburgh Abbey (Haggarty 1984; Haggarty and Will 1995). It has been found in Perth in association with 12th-century imported fabrics such as Stamford Ware, Andenne Ware and Pingsdorf Ware (Hall 1995, 954).

The vessel types in this assemblage are jugs and cooking pots with jugs being the most prevalent. Included amongst the cooking pots is an unusual form that has a pronounced ridge below the rim (Catalogue Nos 136, 142, 143 and 149). The other cooking pot rims forms are from globular vessels similar to those from Kelso (Haggarty 1984) and Jedburgh (Haggarty and Will 1995). A twisted rod handle from Phase 2 (Catalogue No 160) may suggest that the local potters were attempting to copy Yorkshire Type Ware jug forms.

White Gritty Reduced Ware

This material appears to represent a deliberately reduced version of the standard White Gritty Wares. It has been previously recognised in pottery assemblages from Kelso (see Crowdy, above), Eyemouth (Crowdy 1986) and Peebles, Cuddyside (see Hall, below). Recent analysis of the pottery assemblages

from Manpower Services Scheme excavations in Ayr has also identified a similar fabric variation (Franklin and Hall forthcoming). The sherds in this assemblage are all from jugs glazed dark green and there is at least one example of a bridge spout (Catalogue No 192).

East Coast Redware

Fifteen years of archaeological excavations in the Scottish east coast burghs have identified these fabric types as forming a tradition of native pottery production apparently dating from the 13th to the 15th centuries (Hall 1996, 126). Its presence in the Bridgegate assemblage may imply that it represents casual importation from areas that were producing these fabrics.

Yorkshire Type Ware

Vessels in these distinctively green glazed fabrics are the most common imports in the east coast burghs in the 13th and 14th centuries (McCarthy and Brooks 1988).

Low Countries Greyware

This fabric is a common find from 12th-century deposits in the Scottish east coast burghs. There are only two sherds present in this assemblage and they are both residual.

Low Countries Redware

This fabric begins to replace the earlier Low Countries Greywares from the mid 14th century onwards (Verhaege 1983, 25). There are only three sherds in the whole assemblage.

Rhenish Stoneware

These distinctive highly fired vessels begin appearing in Scotland from the mid 14th century (Hurst *et al* 1986).

Post-medieval Reduced Wares

This fabric type was first identified in excavations at Stirling Castle in the late 1970s (Haggarty 1980). It represents a late medieval transition from the Redwares described above and dates from the mid 15th to mid 18th centuries.

Discussion

As is often the case in medieval pottery groups from the Scottish burghs, the domination of the assemblage by an apparently local fabric, that is not tightly datable, makes dating very difficult. It has been suggested that the White Gritty Reduced Ware may represent a local variant of the common late medieval Reduced Greywares that are thought to begin in the late 15th century. However as White Gritty Reduced Ware is present at Bridgegate from Phase 1 onwards, it seems likely that it may be an earlier product. This fabric variation was also found in the pit group from Kelso Abbey in association with standard White Gritty Ware fabrics (pers comm. G Haggarty).

Imported wares make up less than 1% of the assemblage and are largely residual. The only imported fabrics which may serve as a date indicator are the Rhenish Stonewares. These first appear in Phase 2, which would suggest a date no earlier than the mid 14th century for this activity.

5 Cuddyside, Peebles

Introduction

The excavations at Cuddyside, Peebles produced an assemblage of 411 sherds of pottery, of both medieval and early modern date. This material has been examined by eye and subdivided into separate fabric types.

White Gritty Ware

This is the most common fabric type from this excavation, being represented by 310 sherds (75%). It varies in colour from white through white brown to pink. The most common vessel form present in this assemblage is the jug, of which there is a minimum number of 191, compared with only 12 cooking pots and three other vessels. Included amongst the jugs is a good example of a three-handled vessel, decorated with applied glazed strips (Catalogue No 207). Vessels with more than one handle have long been identified as a northern characteristic (Cruden 1952, 152) and the vessel from Cuddyside should probably be regarded as a local copy of a Yorkshire form. So few cooking pots are represented that it is very difficult to precisely identify the types of vessel form that are present, although there is a frilled rim from Phase 4 (Catalogue No 204) which might be a product of the Fife industry (Hall 1996, 127).

White Gritty Reduced Ware

This fabric is represented by 50 sherds in the assemblage and most commonly has a light brown interior surface with a grey core. It is glazed dark green on its external surface. Similar fabrics have been recovered from excavations in Eyemouth (Crowdy 1986), Kelso

Abbey (Haggarty 1984) and Jedburgh (Haggarty and Will 1995). There are seven joining sherds from a frilled jug base in Phase 2 that appear to have been re-used after the vessel had been broken. This base has internal smoke blackening and signs of heating on its external surface (Catalogue No 219).

Rhenish Stoneware

Stonewares from Langerwehe, Siegburg and Cologne first begin to appear in Scotland from about 1350 (Hurst *et al* 1986). There are only two sherds of this fabric and they may both be from vessels from the Siegburg kilns, which are datable from the mid 14th to 16th centuries. As some of the Reduced White Gritty jug forms (Catalogue No 219) may be copying these vessels, it seems likely that on this site a late 15th-century date for these two sherds is most likely.

Victorian and Early Modern pottery

There is a small group (31 sherds) of china, earthenware and stoneware.

Discussion

The medieval pottery from the earliest phase of activity on this site is almost exclusively White Gritty Ware. This would date Phase 1 between the 12th and 14th centuries and may indicate that this material was being dumped from elsewhere. The White Gritty Reduced Ware in Phase 2 is all from demolition deposits for Structure 1 and appears to indicate that this action dates to the late 15th century. A similar date is suggested for Phases 4 and 5 and it is only in Phase 6 that post-medieval material begins to appear. The domination of the White Gritty Ware assemblage by sherds from jugs rather than cooking pots may suggest a later date for this assemblage.

General discussion by D W Hall

This assemblage of pottery from the Scottish Borders helps to fill a gap in Scottish pottery studies. We are finally in a situation where we can now attempt a meaningful overview of Scotland's earliest native industry. Groups of White Gritty Ware have now been examined from the Borders, Fife, East Lothian and Ayrshire and patterns are beginning to emerge. The most obvious differences between these different groups of Gritty Ware are in vessel form, particularly as regards external influence.

The vessel forms from the Borders, Fife and Lothian would seem to owe a lot to an external Northern English influence, particularly from Yorkshire. The Gritty Ware assemblage from Ayr seems to exhibit a quite strong French influence, especially when the jug forms are studied. The presence of a Reduced Gritty Ware in the Borders can also be paralleled in Ayrshire. It would appear that the only vessel form made in this reduced version of the earlier Gritty Wares is the glazed jug. Sometimes (see Cuddyside) these vessels appear to be copying Rhenish Stoneware vessels.

The outstanding problem in Scottish medieval pottery studies is the lack of kiln sites. Although the apparent native Scottish fabrics for most of the country have now been identified, it will not be possible to take the subject any further forward until it is possible to construct a dated chronology for these fabrics. The only sure way of doing this is to locate and excavate some kiln sites and, in the process, use scientific dating techniques such as archaeomagnetism to accurately date their use.

Of most interest in this group is the pottery from Wester Kelso/Floors Castle Trench 3. This material appears to be coming from the deserted burgh of Wester Kelso and indicates that the survival of archaeological deposit in this area is good.

This assemblage is a very valuable addition to the corpus of Scottish medieval pottery from the Borders and should prove useful in the continuing study of the native pottery industry and its influences.

Pottery catalogue

13–19 Roxburgh Street, Kelso

White Gritty Ware (illus 50)

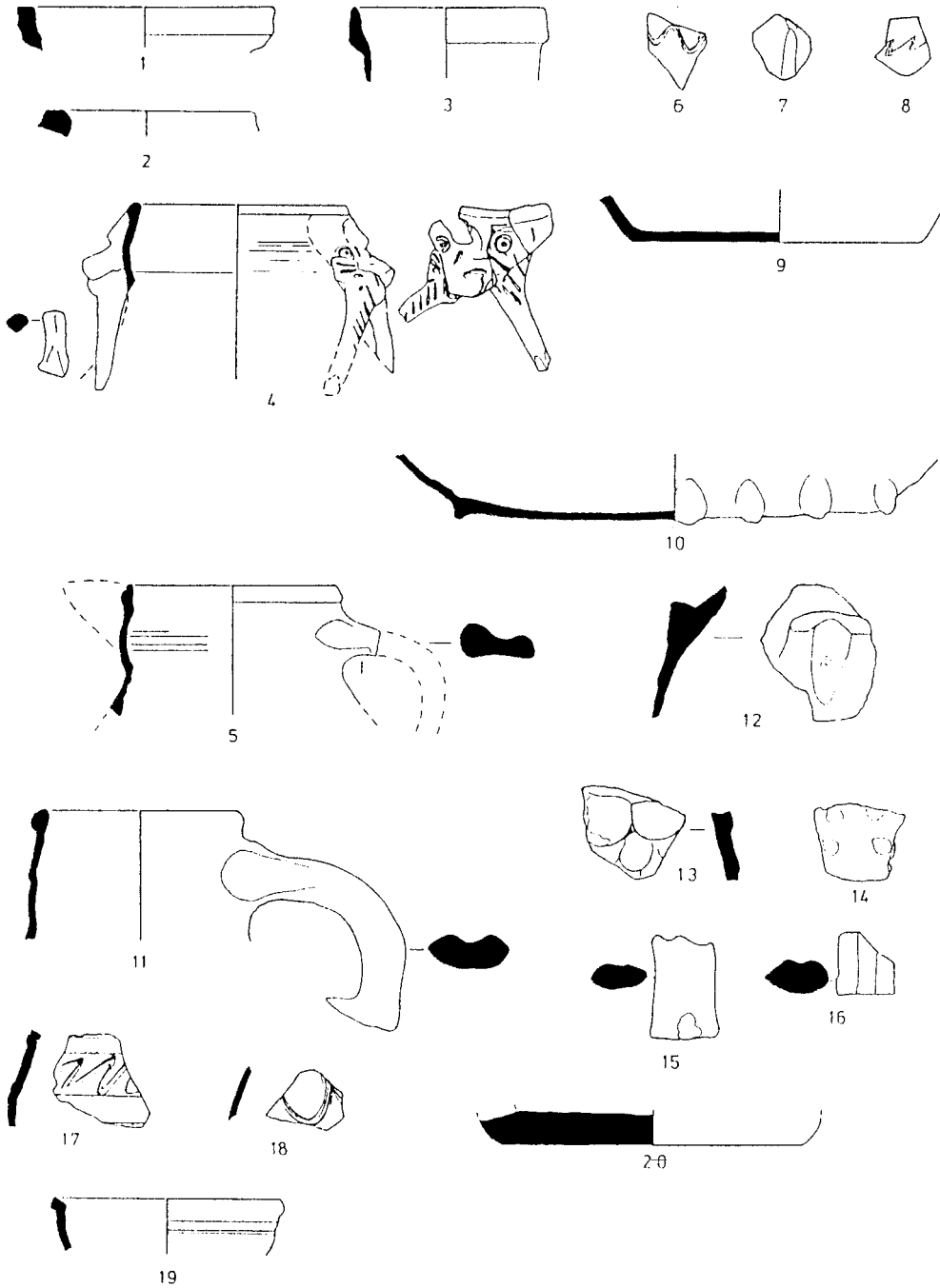
- 1 Jug rim, 100 mm diameter.
Grey fabric; interior grey, exterior reddish yellow with traces of olive glaze.
KL83 25 308
- 2 Jug rim.
Reddish yellow fabric with quartz inclusions; interior unglazed with white slip, exterior unglazed with traces of white slip.
KL83 333
- 3 Jug rim.
Reddish yellow fabric; interior unglazed buff, exterior dark red and traces of olive green glaze.
KL83 1336
- 4 Anthropomorphic jug, with facemask, 110 mm diameter.
Grey fabric with quartz inclusions, interior unglazed grey and buff, exterior partly glazed light green, unglazed surfaces.
KL83 1470
- 5 Jug rim and handle.
Grey fabric; interior unglazed grey, exterior partly glazed light green and orange. Reddish brown unglazed surfaces.
KL83 1470
- 6 Jug body sherd, combed wavy line.
Reddish yellow and grey fabric under the glaze; exterior glaze light olive green.
KL83 381
- 7 Jug body sherd with applied strip
White under exterior glaze and grey fabric; interior unglazed reddish yellow, exterior glazed olive green, strip in darker clay.
KL83 1102 315
- 8 Jug body sherd. Incised chevron design.
Grey fabric; interior unglazed reddish yellow, exterior glazed olive green.
KL83 1292
- 9 Storage jar/jug base, 160 mm diameter.
Reddish yellow and grey fabric; interior unglazed grey, exterior traces of slip and green glaze surface buff. Voids and drag grit marks prominent on the basal angle.
KL83 284
- 10 Thumbed jug base.
Grey and reddish yellow fabric; interior unglazed reddish yellow, exterior small splashes of glaze.
KL83 357

White Gritty Reduced Ware (illus 50)

- 11 Jug.
Grey fabric; mid grey unglazed interior, light green glaze on exterior. Three thumbbed markings at the top of the handle, patches of dark red slip showing mostly underneath the handle.
KL83 1336
- 12 Jug handle.
Mid grey fabric; unglazed interior, light green exterior glaze with small patches of brown. Potter's mark on the central groove of the handle.
KL83 1041
- 13 Jug body sherd.
Dark grey fabric with a white skim underneath the inner and outer surfaces. Light green glossy glaze with small patches of yellow and brown on both interior and exterior of vessel. Two distinct thumbbed markings on exterior.
KL83 1082
- 14 Jug body sherd with applied pellets.
Grey fabric with white skin under the glaze; exterior glaze, olive green.
KL83 1470

Post-Medieval Reduced Greyware (illus 50)

- 15 Thumbbed jug handle.
Mostly grey and reddish yellow fabric; red slip and slightly patchy olive green glaze with brown specks.
KL83 259
- 16 Jug handle.
Reddish yellow and grey fabric; red slip and partially glazed light olive green with orange and brown patches.
KL83 300
- 17 Jug, body sherd with incised zigzag decoration.
Grey fabric; interior grey unglazed, exterior olive green glaze with brown specks.
KL83 300
- 18 Jug, body sherd with incised spiral design.
Interior unglazed, exterior olive glaze with brown hue.
KL83 1109 322
- 19 Bowl.
Grey fabric; interior olive green with brown specks, exterior olive green glaze brown patches.
KL83 260
- 20 Cistern/storage jar base.
Grey and reddish yellow fabric; interior olive



Illus 50 13–19 Roxburgh Street, Kelso: 1–10 White Gritty Ware; 11–14 White Gritty Reduced Ware; 15–20 Post Medieval Reduced Greyware

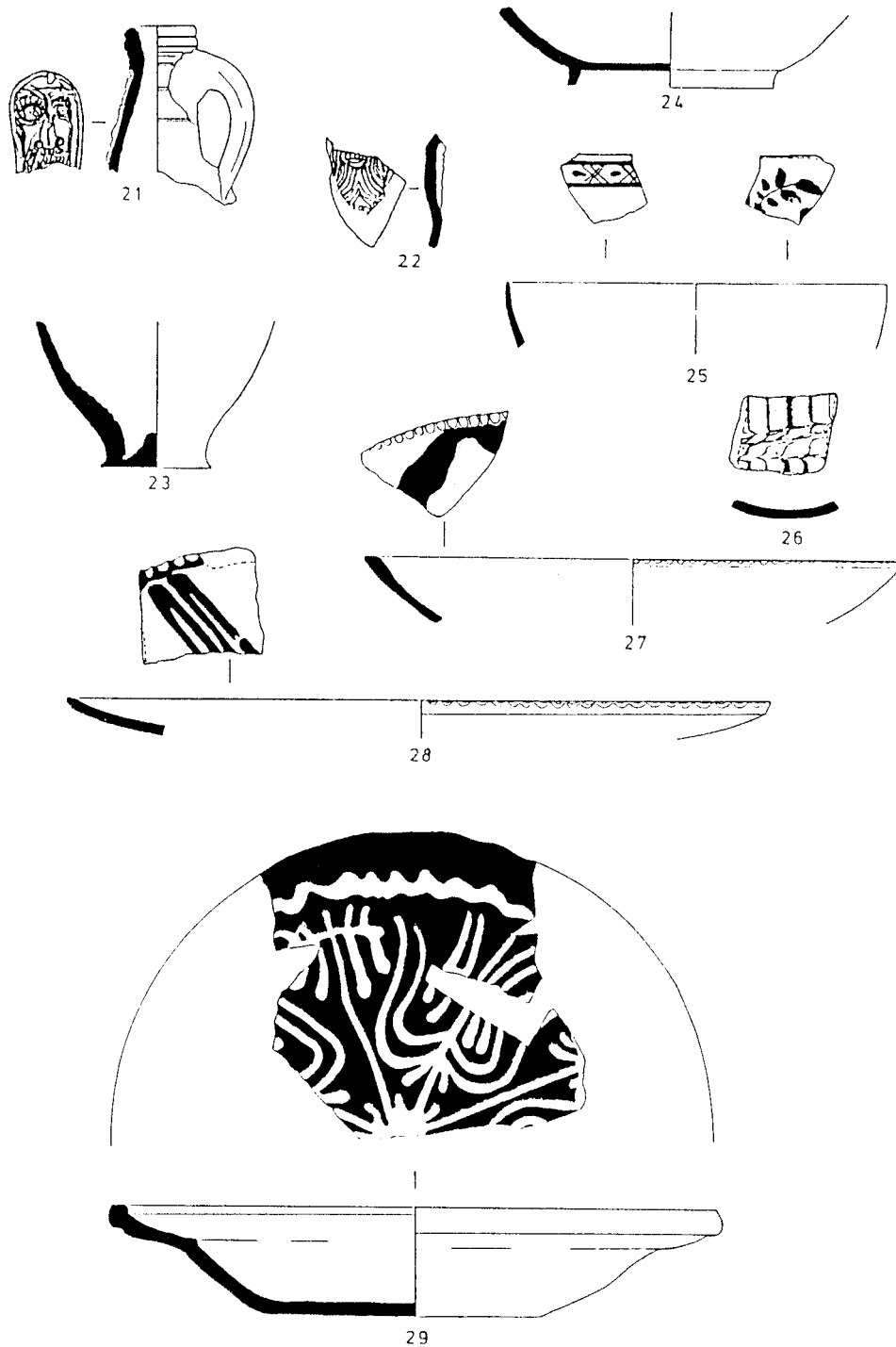
glaze, exterior slipped red, unglazed.
KL83 195 F53

Bellarmino Stoneware (illus 51)

21 Bellarmino facemask.
Grey fabric; light brown interior, dark brown
'orange peel' on exterior.
KL83 C5 13

22 Bellarmino facemask, incomplete.
Grey fabric; light grey interior, dark brown
'orange peel' on exterior.
KL83 326

23 Bellarmino.
Grey fabric; light grey fabric; very distinct rilling
marks on the base and prominent kick, dark
brown 'orange peel' on exterior, clear glaze on the
base.
KL83 100



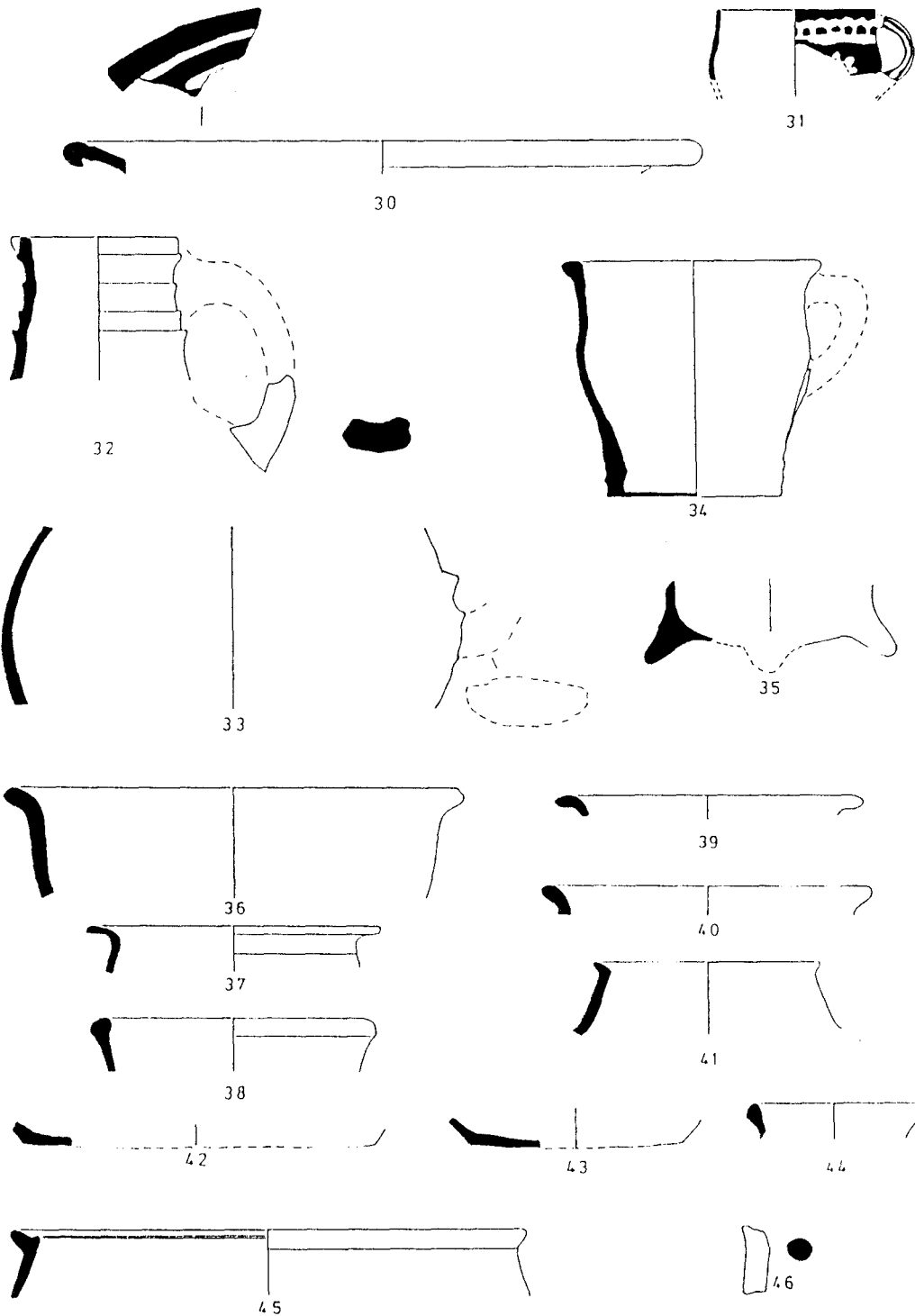
Illus 51 13–19 Roxburgh Street, Kelso: 21–23 Bellarmine Stoneware; 24–25 Delft; 26–29 Decorated Slipware

Tin Glazed Earthenware (*illus 51*)

- 24 Bowl.
Buff fabric; light blue glaze on interior and exterior.
KL83 53
- 25 Decorated bowl.
Pale orange fabric; light blue interior and exterior, pale orange band on interior rim and blue decoration on interior and exterior.
KL83 1077

Decorated Slipware (*illus 51 and 52*)

- 26 Bowl.
Dark red slip with occasional white streaks, brown and white slip on interior only.
KL83 93
- 27 Bowl.
Brick red fabric; dark red slip and white slip with clear glaze on interior, sooted exterior. Scalloped rim.
KL83 216



*Illus 52 13–19 Roxburgh Street, Kelso: 30–31 Decorated Slipware; 32–33 Earthenware; 34–41 Glazed Earthenware
Wester Kelso / Floors Castle Trench 2: 42–43 Glazed Earthenware; 44–46 Post Medieval Reduced Greyware*

- 28 Bowl.
Brick red fabric; dark red slip and white slip with clear glaze on interior, exterior unglazed. Scalloped rim.
KL83 246
- 29 Bowl.
Orange fabric; white trailed slip on the interior with transparent glaze over the top. Designs are

- floral.
KL83 1104
- 30 Bowl.
Buff fabric; small dark red inclusions, dark red slip with a trailed white slip design in quite high relief on the exterior.
KL83 387
- 31 Cup, 90 mm diameter.

Reddish yellow fabric; olive green on both surfaces, with trailed white slip.
KL83 301 40

Earthenware (illus 52)

- 32 Jug, 100 mm diameter.
Reddish yellow fabric; unglazed but traces of vitrified glaze over the spout and on the exterior.
KL83 329
- 33 Body of jug.
Handle has been slipped and thumbed onto the body.
KL83 300

Glazed Earthenware (illus 52)

- 34 Jug storage vessel, 140 mm diameter.
Reddish yellow fabric; dark red slip in patches and orange transparent glaze on interior, unglazed exterior, buff brown colour (very coarsely constructed?)
KL83 387
- 35 Cooking pot with feet, 130 mm diameter.
Reddish yellow fabric; orange glaze interior, exterior has red yellow slip and sooting.
KL83 389
- 36 Pancheon, 250 mm diameter.
Reddish yellow fabric; slipped interior with clear to green glaze, exterior buff unglazed.
KL83 387
- 37 Bowl, 160 mm diameter.
Reddish yellow fabric; clear glaze on the interior, staining in the glaze on the rim, exterior unglazed, reddish yellow.
KL83 CV 288 297
- 38 Bowl, 140 mm diameter.
Reddish yellow fabric; interior glazed light orange and over the rim, exterior slipped, dark red.
KL83 331
- 39 Bowl, 160 mm diameter.
Reddish yellow fabric and grey under the glaze; interior glazed dark green with brown patches, exterior unglazed, reddish yellow.
KL83 99
- 40 Bowl, 180 mm diameter.
Reddish yellow fabric; glazed interior, exterior unglazed, reddish yellow.
KL83 25
- 41 Bowl, 140 mm diameter.
Reddish yellow fabric with partial grey core; both surfaces glazed light green, but only traces remain.
KL83 26

Wester Kelso/Floors Castle Trench 2

Glazed Earthenware (illus 52)

- 42 Storage jar base, 100 mm diameter

Reddish yellow fabric; interior glazed light brown with green and brown admixture, exterior unglazed and very rough surface.
WK84 F66 22

- 43 Base of a bowl, 100 mm diameter.
Reddish yellow and grey fabric underneath the glaze; interior brown glaze, exterior unglazed, red slip.
WK84 F66 22

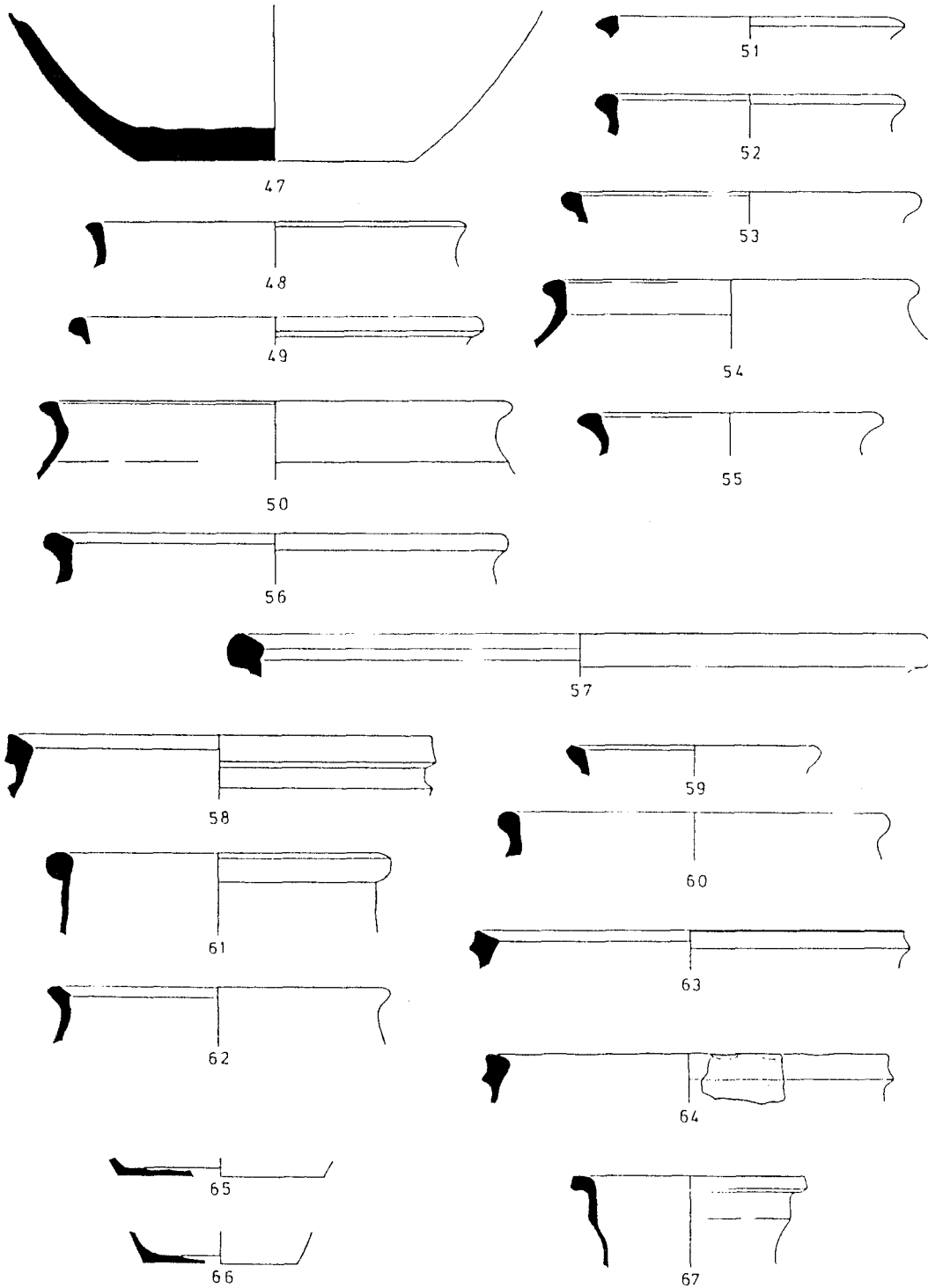
Post-Medieval Reduced Greyware (illus 52 and 53)

- 44 Jug rim, 90 mm diameter.
Reddish yellow fabric; interior light green glaze with brown patches, exterior red slip, glaze over rim.
WK84 16 39
- 45 Thumbled rim with lid seating, 290 mm diameter.
Grey fabric; interior olive green glaze, exterior red slip glaze over rim.
WK84 24 28
- 46 Handle.
Reddish yellow and grey fabric; patchy glaze olive green and red slip.
WK84 18 54
- 47 Base of cistern/heavy storage jar, 160 mm diameter.
A mixture of reddish orange and grey fabric; interior green glaze, exterior red slip and green glaze. Stacking scar marks and glaze on the rim.
WK84 29

Wester Kelso/Floors Castle Trench 3

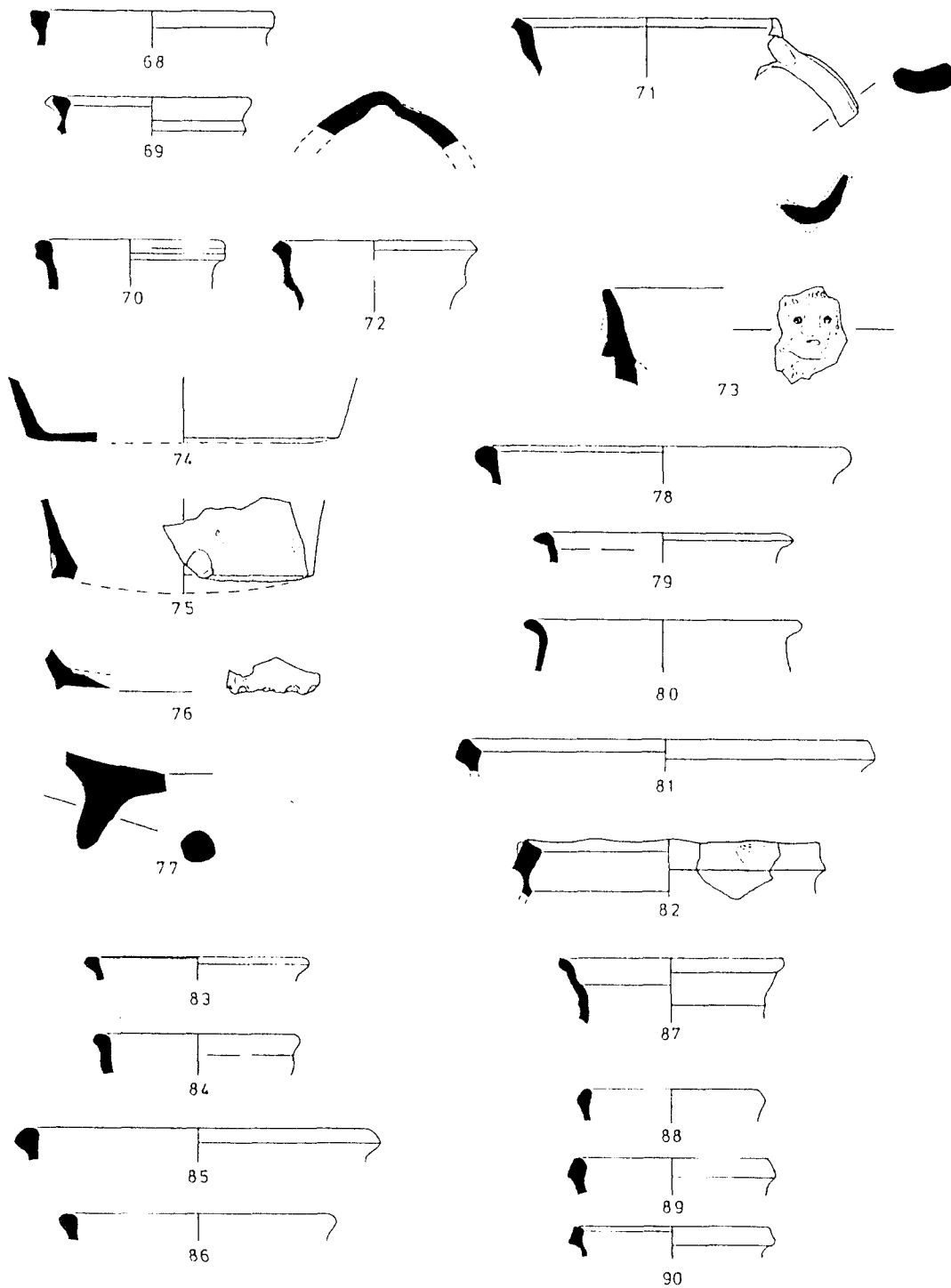
White Gritty Ware (illus 53–57)

- 48 Cooking pot rim.
FC84 Context 20; Phase 1
- 49 Cooking pot rim.
FC84 Context 20; Phase 1
- 50 Cooking pot with carinated everted rim.
FC84 Context 20; Phase 1
- 51 Cooking pot rim.
FC84 Context 20; Phase 1
- 52 Cooking pot rim.
FC84 Context 21; Phase 1
- 53 Cooking pot rim.
FC84 Context 21; Phase 1
- 54 Cooking pot rim.
FC84 Context 26; Phase 1
- 55 Cooking pot rim.
FC84 Context 26; Phase 1
- 56 Cooking pot rim.
FC84 Context 26; Phase 1
- 57 Cooking pot rim.
FC84 Context 26; Phase 1
- 58 Cooking pot rim.
FC84 Context 26; Phase 1



*Illus 53 Wester Kelso/Floors Castle Trench 2: 47 Post Medieval Reduced Greyware
Wester Kelso/Floors Castle Trench 3: 48-67 White Gritty Ware*

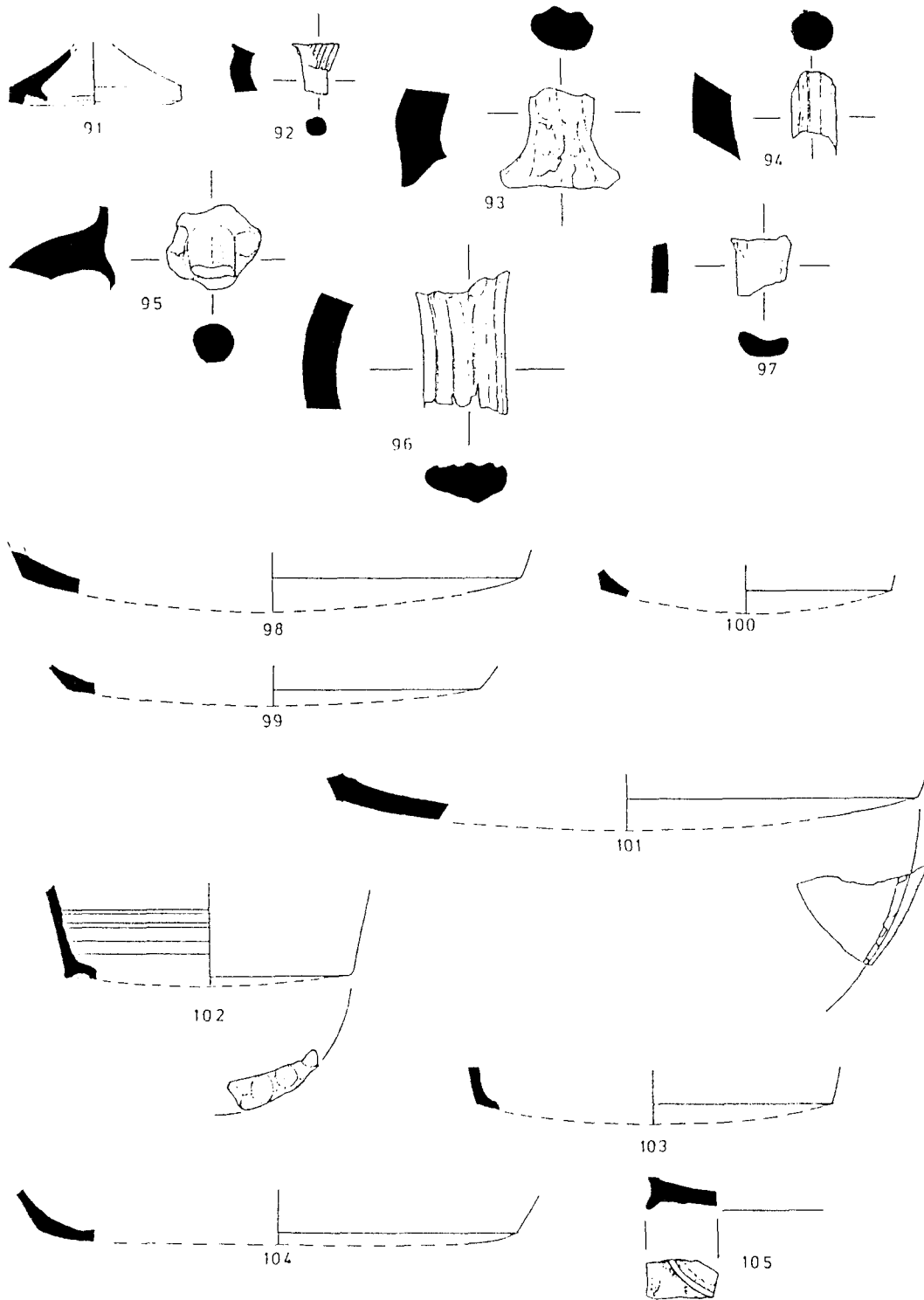
- | | |
|---|---|
| <p>59 FC84 Cooking pot rim.
Context 26; Phase 1</p> <p>60 Cooking pot rim.
FC84 Context 57; Phase 1</p> <p>61 Cooking pot rim.
FC85 Context 32; Phase 1</p> <p>62 Cooking pot rim.
FC85 Context 51; Phase 1</p> <p>63 Cooking pot rim.
FC84 Context 18; Phase 4</p> | <p>64 Frilled cooking pot rim.
FC84 Context 26; Phase 1</p> <p>65 Cooking pot base.
FC84 Context 20; Phase 1</p> <p>66 Cooking pot base.
FC84 Context 20; Phase 1</p> <p>67 Jug rim.
FC84 Context 21; Phase 1</p> <p>68 Jug rim.
FC84 Context 21; Phase 1</p> |
|---|---|



Illus 54 Wester Kelso/Floors Castle Trench 3: 68–90 White Gritty Ware

- 69 Jug rim and spout.
FC84 Context 21; Phase 1
- 70 Jug rim.
FC84 Context 26; Phase 1
- 71 Jug rim and handle.
FC84 Context 26; Phase 1
- 72 Jug rim.
FC85 Context 57; Phase 1
- 73 Facemask.
FC85 Context 32; Phase 1

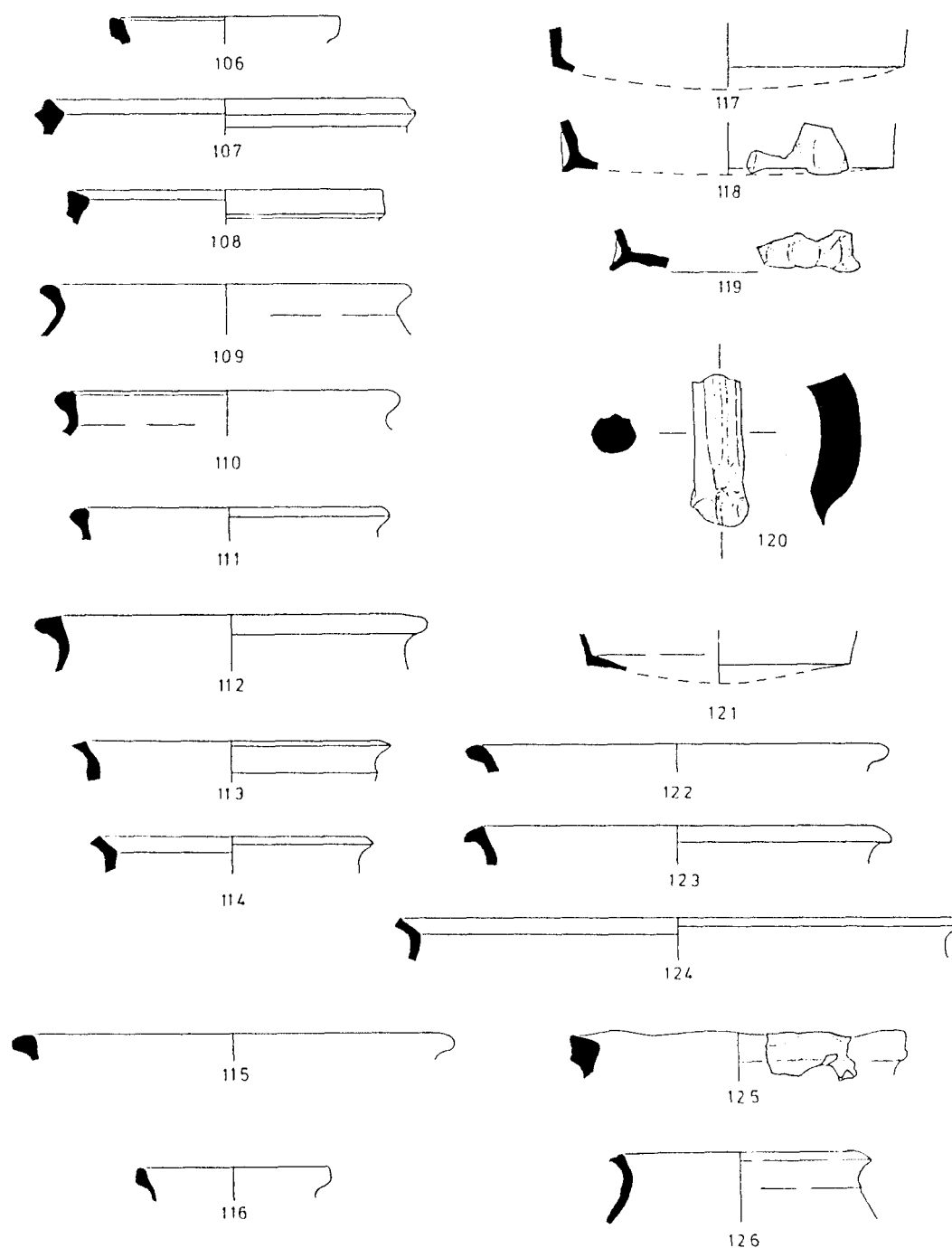
- 74 Jug base.
FC84 Context 21; Phase 1
- 75 Jug base with thumb mark.
FC84 Context 21; Phase 1
- 76 Thumbed jug base.
FC84 Context 26; Phase 1
- 77 Tripod leg.
FC84 Context 21; Phase 1
- 78 Cooking pot rim.
FC84 Context 13; Phase 2



Illus 55 Wester Kelso/Floors Castle Trench 3: 91–105 White Gritty Ware

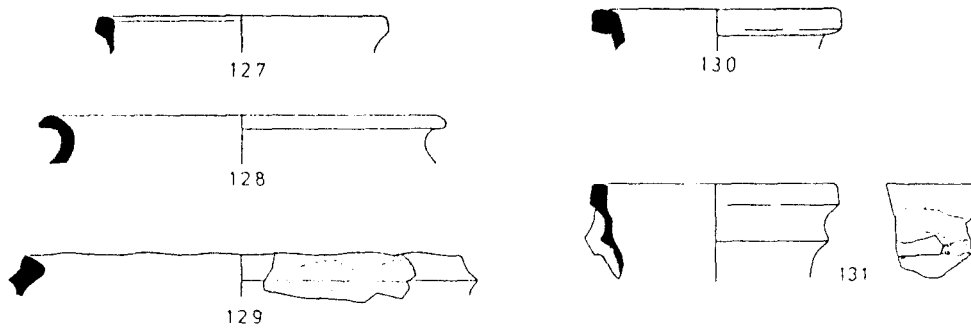
- 79 Cooking pot rim.
FC84 Context 13; Phase 2
- 80 Cooking pot rim.
FC84 Context 13; Phase 2
- 81 Cooking pot rim.
FC84 Context 13; Phase 2
- 82 Frilled rim.
FC84 Context 13; Phase 2
- 83 Cooking pot rim.
FC84 Context 25; Phase 2

- 84 Cooking pot rim.
FC84 Context 25; Phase 2
- 85 Cooking pot rim.
FC84 Context 25; Phase 2
- 86 Cooking pot rim.
FC84 Context 25; Phase 2
- 87 Jug rim.
FC84 Context 13; Phase 2
- 88 Jug rim.
FC84 Context 25; Phase 2



Illus 56 Wester Kelso/Floors Castle Trench 3: 106–126 White Gritty Ware

- | | |
|---|--|
| 89 Jug rim.
FC84 Context 25; Phase 2 | 95 Rod handle.
FC84 Context 13; Phase 2 |
| 90 Jug rim.
FC84 Context 25; Phase 2 | 96 Strap handle.
FC84 Context 13; Phase 2 |
| 91 Jug lid.
FC84 Context 13; Phase 2 | 97 Strap handle.
FC84 Context 13; Phase 2 |
| 92 Facemask fragment.
FC84 Context 13; Phase 2 | 98 Jug base.
FC84 Context 13; Phase 2 |
| 93 Rod handle.
FC84 Context 13; Phase 2 | 99 Jug base.
FC84 Context 13; Phase 2 |
| 94 Rod handle.
FC84 Context 13; Phase 2 | 100 Jug base.
FC84 Context 13; Phase 2 |



Illus 57 Wester Kelso/Floors Castle Trench 3: 127–131 White Gritty Ware

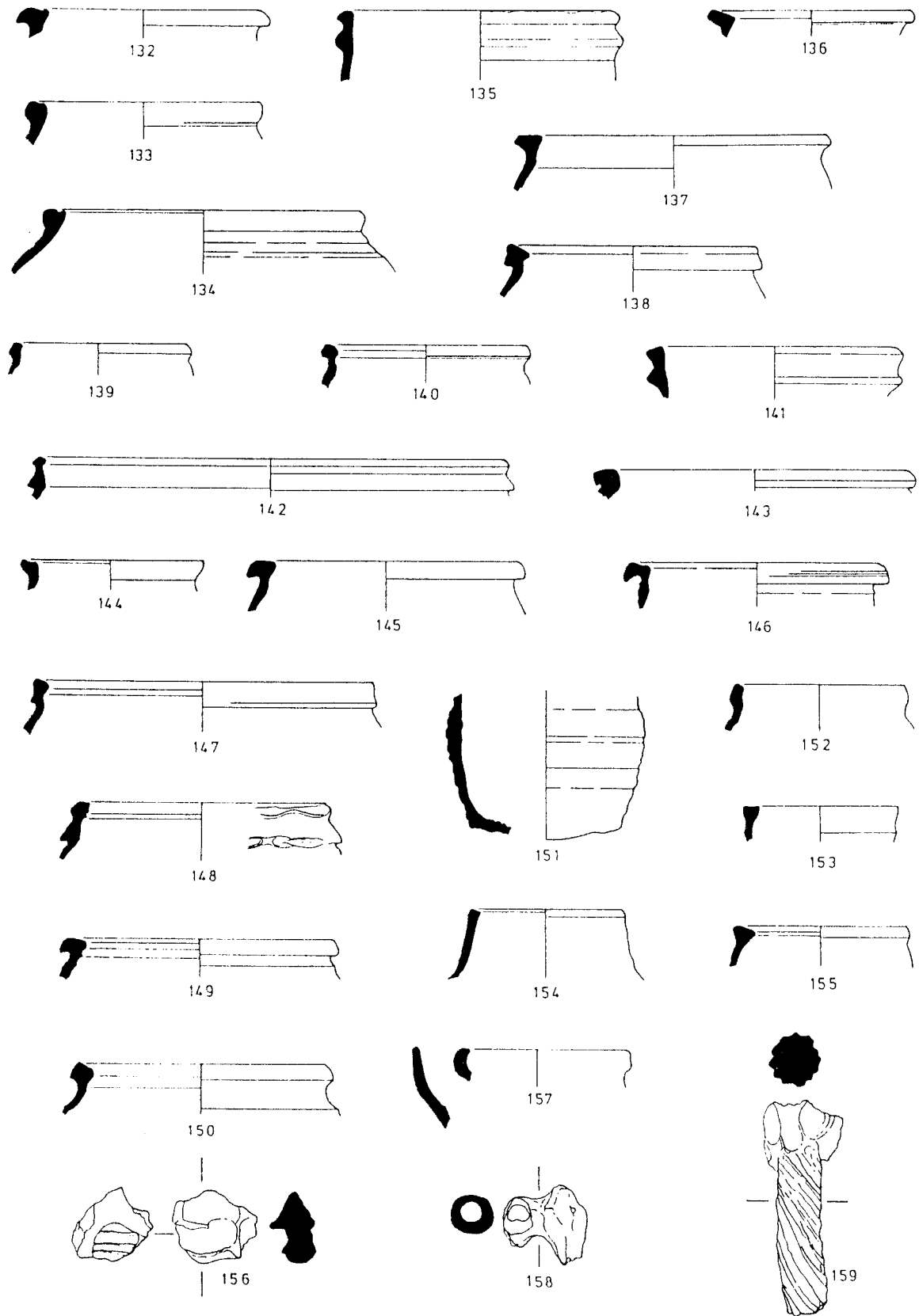
- 101 Jug base.
FC84 Context 13; Phase 2
- 102 Jug base.
FC84 Context 13; Phase 2
- 103 Jug base.
FC84 Context 25; Phase 2
- 104 Jug base.
FC84 Context 25; Phase 2
- 105 Thumbed jug base sherd with kiln scar.
FC84 Context 25; Phase 2
- 106 Cooking pot rim.
FC84 Context 8; Phase 3
- 107 Cooking pot rim.
FC84 Context 8; Phase 3
- 108 Cooking pot rim.
FC84 Context 8; Phase 3
- 109 Cooking pot rim.
FC84 Context 8; Phase 3
- 110 Cooking pot rim.
FC84 Context 13; Phase 3
- 111 Cooking pot rim.
FC84 Context 13; Phase 3
- 112 Cooking pot rim.
FC84 Context 13; Phase 3
- 113 Cooking pot rim.
FC84 Context 14; Phase 3
- 114 Cooking pot rim.
FC84 Context 14; Phase 3
- 115 Cooking pot rim.
FC84 Context 14; Phase 3
- 116 Jug rim.
FC84 Context 13; Phase 3
- 117 Jug base.
FC84 Context 8; Phase 3
- 118 Frilled jug base.
C84 Context 8; Phase 3
- 119 Frilled jug base.
FC84 Context 8; Phase 3
- 120 Rod handle.
FC84 Context 8; Phase 3
- 121 Jug base.
FC84 Context 8; Phase 3
- 122 Cooking pot rim.
FC84 Context 3; Phase 4
- 123 Cooking pot rim.
FC84 Context 3; Phase 4

- 124 Cooking pot rim.
FC84 Context 3; Phase 4
- 125 Frilled rim.
FC84 Context 3; Phase 4
- 126 Cooking pot rim.
FC84 Context 6; Phase 4
- 127 Cooking pot rim.
FC84 Context 6; Phase 4
- 128 Cooking pot rim.
FC84 Context 6; Phase 4
- 129 Frilled rim.
FC84 Context 6; Phase 4
- 130 Jug rim.
FC84 Context 3; Phase 4
- 131 Jug rim and handle junction.
FC84 Context 6; Phase 4

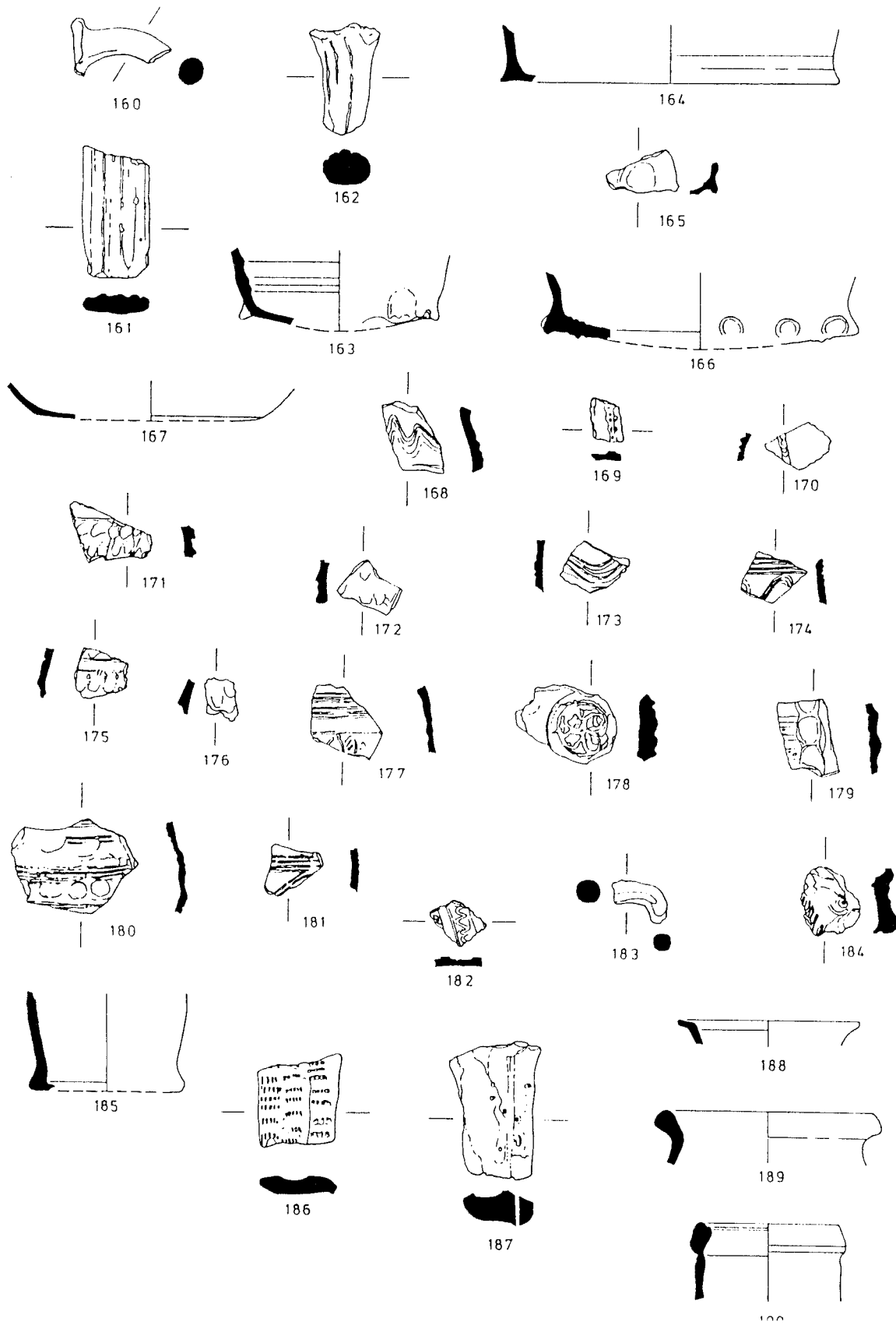
Bridgewater, Peebles

White Gritty Ware (illus 58 and 59)

- 132 Cooking pot rim.
PB86 Context 167; Phase 2
- 133 Cooking pot rim.
PB86 Context 191; Phase 2
- 134 Cooking pot rim.
B86 Context 191; Phase 2
- 135 Cooking pot rim with pronounced ridge and slight thumbing.
PB86 Context 191; Phase 2
- 136 Cooking pot rim.
PB86 Context 362; Phase 2
- 137 Cooking pot rim.
PB86 Context 362; Phase 2
- 138 Cooking pot rim.
PB86 Context 362; Phase 2
- 139 Cooking pot rim.
PB86 Context 389; Phase 2
- 140 Cooking pot rim.
PB87 Context 421; Phase 2
- 141 Cooking pot rim with pronounced ridge.
PB86 Context 361; Phase 2b
- 142 Cooking pot rim with pronounced ridge.
PB86 Context 361; Phase 2b

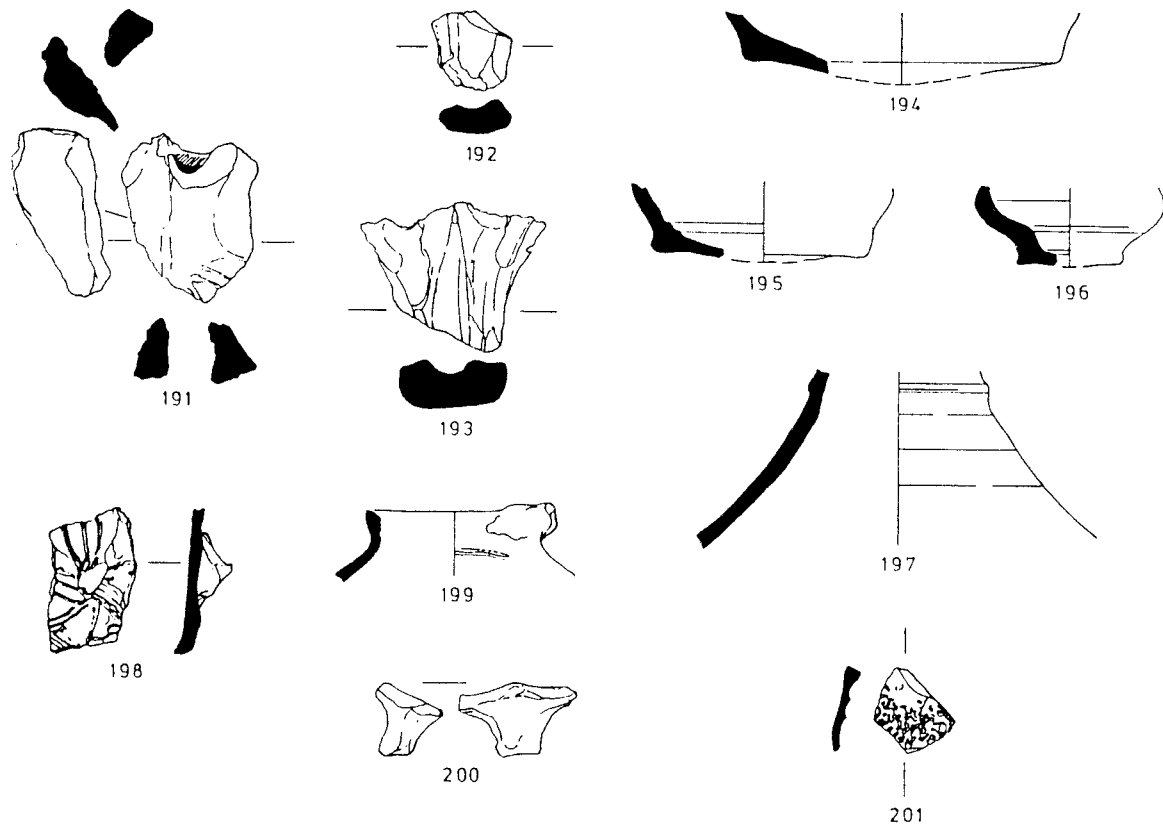


Illus 58 Bridgegate, Peebles: 132–159 White Gritty Ware



Illus 59 Bridgegate, Peebles: 160-184 White Gritty Ware; 185-187 White Gritty Ware; 188-190 White Gritty Reduced Ware

- 143 Cooking pot rim.
PB86 Context 361; Phase 2b
- 144 Cooking pot rim.
PB86 Context 171; Phase 3
- 145 Cooking pot rim.
PB86 Context 210; Phase 3
- 146 Cooking pot rim.
PB86 Context 149; Phase 3
- 147 Cooking pot rim.
PB86 Context 165; Phase 4
- 148 Cooking pot rim with pronounced ridge.
Context 001; Phase 5
- 149 Cooking pot rim.
PB86 Context 001; Phase 5
- 150 Cooking pot rim.
PB86 Context 001; Phase 5
- 151 Base and side wall from cooking pot.
PB86 Context 363; Phase 2
- 152 Jug rim externally glazed brown.
PB86 Context 389; Phase 2
- 153 Jug rim externally glazed light green.
PB86 Context 389; Phase 2
- 154 Jug rim externally glazed green.
PB86 Context 369; Phase 3a
- 155 Unglazed jug rim.
PB86 Context 149; Phase 4
- 156 Bridge spout from jug with fragment of applied decoration; externally glazed green brown.
PB86 Context 167; Phase 2
- 157 Bridge spout from jug externally glazed light green brown.
PB86 Context 171; Phase 3
- 158 Tubular spout from jug externally glazed light green.
PB86 Context 001; Phase 5
- 159 Twisted rod handle from jug externally glazed green brown.
PB86 Context 167; Phase 2
- 160 Rim and small rod handle from jug externally glazed yellow.
PB86 Context 363; Phase 2
- 161 Strap handle from jug externally glazed green brown.
PB86 Context 001; Phase 5
- 162 Rod handle from jug externally glazed green on a purple wash.
PB86 Context 001; Phase 5
- 163 Base sherd from jug with single thumbmark externally glazed yellow green.
PB86 Context 363; Phase 2
- 164 Base sherd from jug.
PB86 Context 381; Phase 2A
- 165 Frilled base sherd from jug externally glazed green.
PB86 Context 342; Phase 3
- 166 Frilled base sherd from jug externally glazed green with kiln stacking mark on base.
PB86 Context 059; Phase 4
- 167 Base sherd from bowl internally and externally glazed light green brown.
PB86 Context 362; Phase 2
- 168 Bodysherd from jug decorated with wavy lines externally glazed green.
PB86 Context 362; Phase 2
- 169 Bodysherd from jug decorated with applied notched strip.
PB86 Context 362; Phase 2
- 170 Bodysherd from jug decorated with applied notched strip externally glazed brown.
PB86 Context 363; Phase 2
- 171 Bodysherd decorated with applied scales and raised strip externally glazed green.
PB86 Context 363; Phase 2
- 172 Bodysherd decorated with applied scales externally glazed yellow green.
PB86 Context 389; Phase 2
- 173 Bodysherd decorated with incised lines externally glazed green.
PB86 Context 098; Phase 2A
- 174 Bodysherd decorated with incised lines externally glazed green.
PB86 Context 374; Phase 2A
- 175 Bodysherd decorated with applied scales externally glazed brown with green streaks.
PB86 Context 361; Phase 2b
- 176 Bodysherd decorated with applied scales externally glazed green.
PB86 Context 249; Phase 3
- 177 Bodysherd decorated with incised lines externally glazed green brown.
PB86 Context 369; Phase 3a
- 178 Bodysherd decorated with floral stamp externally glazed green.
PB86 Context 059; Phase 4
- 179 Bodysherd externally glazed light green with applied thumbed strip glazed brown.
PB86 Context 059; Phase 4
- 180 Bodysherd decorated with incised lines and fingermarks externally glazed green brown.
PB86 Context 059; Phase 4
- 181 Bodysherd decorated with incised lines externally glazed green.
PB86 Context 001; Phase 5
- 182 Bodysherd decorated with incised lines externally glazed green brown.
PB86 Context 001; Phase 5
- 183 Fragment of decorative arm externally glazed green.
PB86 Context 211; Phase 2A
- 184 Fragment from facemask externally glazed green brown.
PB86 Context 001; Phase 5
- White Gritty Ware (*illus 59*)**
- 185 Base sherd from jug.
PB86 Context 059; Phase 4
- 186 Strap handle externally glazed green brown and decorated with stabbed comb marks.
PB86 Context 374; Phase 2A
- 187 Strap handle from jug with stabbed holes externally glazed dark green brown.
PB86 Context 059; Phase 4



Illus 60 Bridgegate, Peebles: 191–198 White Gritty Reduced Ware; 199 East Coast Redware; 200 Low Countries Redware; 201 Rhenish Stoneware

White Gritty Reduced Ware (*illus 59 and 60*)

- 188 Rimsherd from jug internally and externally glazed green.
PB86 Context 227; Phase 2
- 189 Rimsherd from jug externally glazed dark green.
PB86 Context 325; Phase 2A
- 190 Rimsherd from jug externally glazed dark green brown.
PB86 Context 213; Phase 3
- 191 Bridge spout from jug externally glazed dark green.
PB86 Context 191; Phase 2
- 192 Skillet handle externally glazed dark green.
PB86 Context 122; Phase 3
- 193 Strap handle junction externally glazed green brown.
PB86 Context 318; Phase 3
- 194 Base sherd from jug externally glazed green.
PB86 Context 374; Phase 2A
- 195 Base sherd from jug externally glazed dark green.
PB86 Context 125; Phase 3
- 196 Base sherd from small, squat vessel externally glazed green.
PB86 Context 059; Phase 4
- 197 Neck and upper body from jug externally glazed

dark green.

PB86 Context 370; Phase 3

- 198 Bodysherd decorated with incised lines externally glazed dark green with fragment of applied arm.
PB86 Context 001; Phase 5

East Coast Redware (*illus 60*)

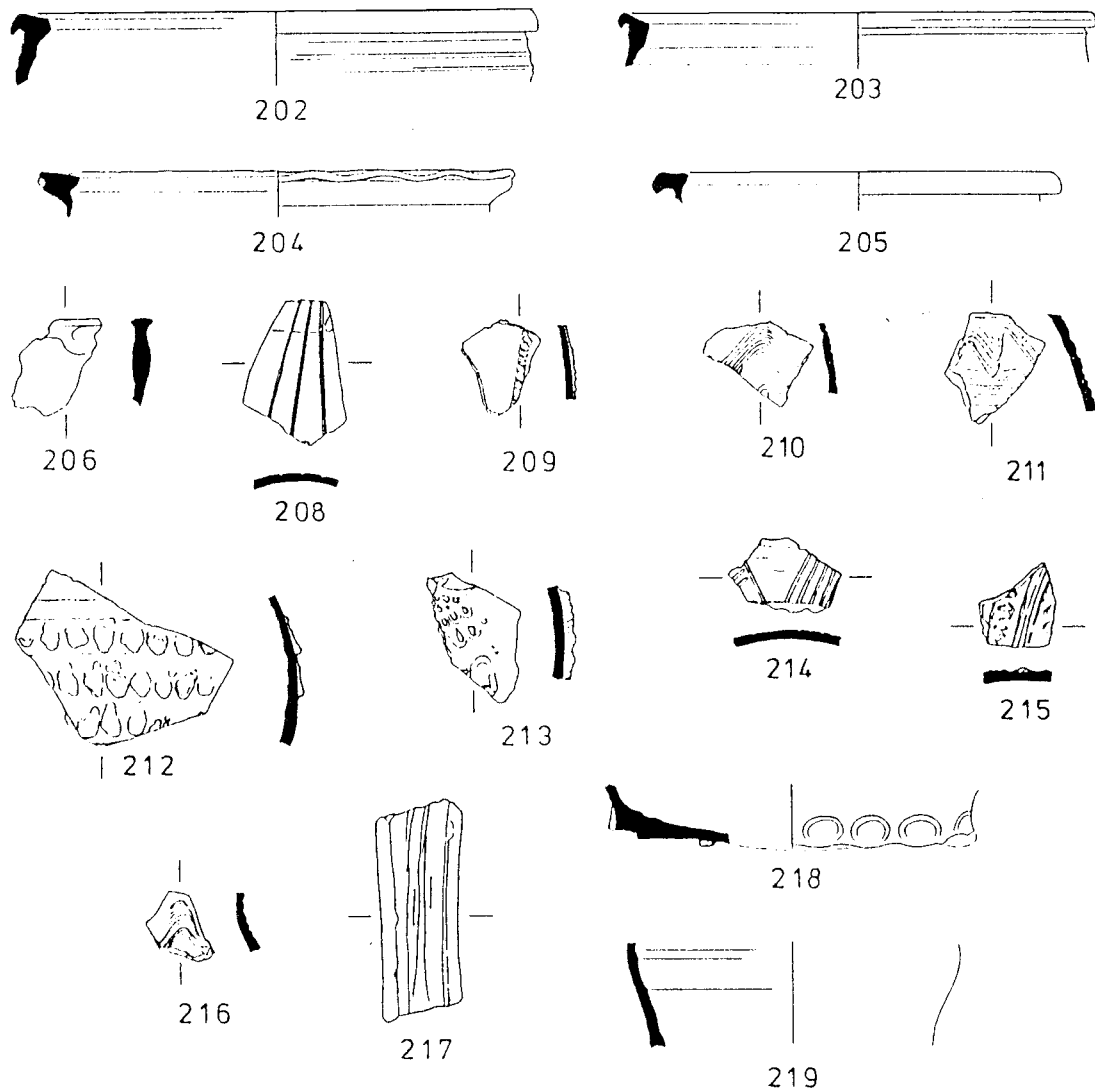
- 199 Rimsherd and handle junction from jug externally glazed green on a purple brown wash.
PB86 Context 367; Phase 3

Low Countries Redware (*illus 60*)

- 200 Base sherd and leg from tripod pipkin internally glazed dark green.
PB86 Context 059; Phase 4

Rhenish Stoneware (*illus 60*)

- 201 Bodysherd from *Bartmann* jug in Frechen Stoneware with external mottled brown 'tiger' salt glaze.
PB86 Context 271; Phase 3



Illus 61 Cuddyside, Peebles: 202–206 White Gritty Ware; 208–212 White Gritty Ware; 213–219 White Gritty Reduced Ware

Cuddyside, Peebles

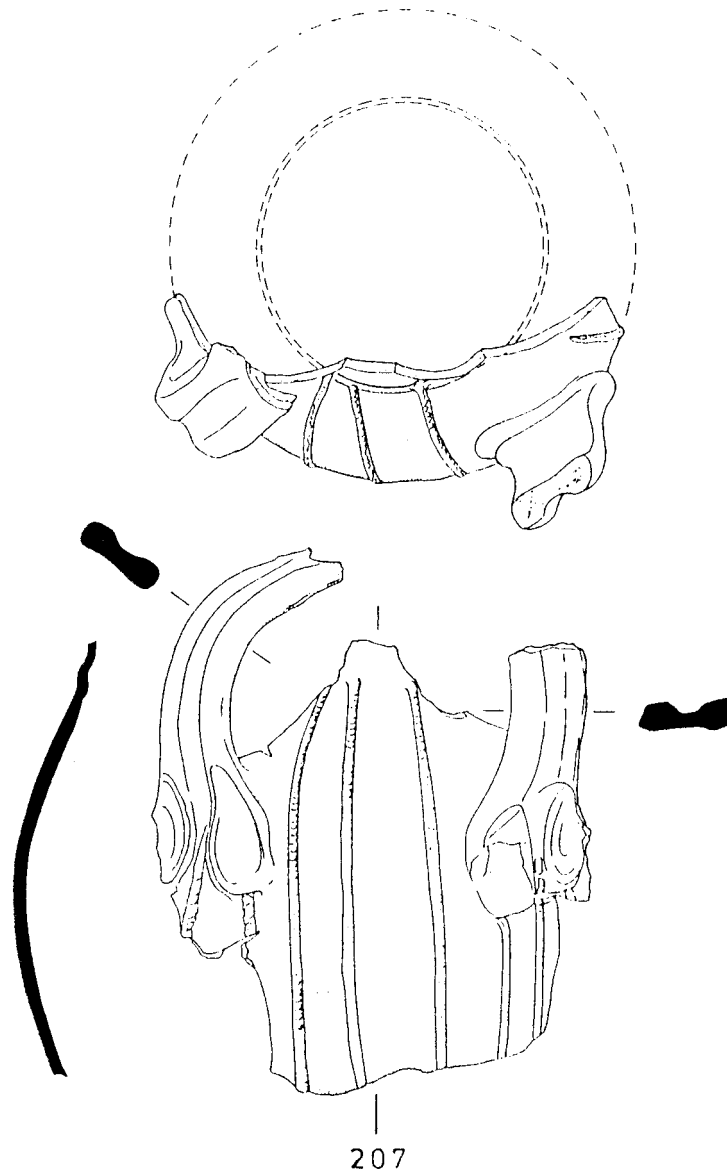
White Gritty Ware (*illus 61 and 62*)

- 202 Rimsherd from a cooking pot.
PB05 Context 8
- 203 Rimsherd from a cooking pot with patches of light green glaze.
PB05 Context 19
- 204 Frilled rimsherd from a cooking pot.
PB05 Context 12
- 205 Rimsherd from a jug with patches of green brown glaze.
PB05 Context 8
- 206 Bridge spout from a jug with traces of green glaze.
PB05 Context 8
- 207 Bodysherds from a three handled jug glazed brown decorated with applied notched strips glazed dark brown.
PB05 Contexts 8, 40, 41, 42, 43

- 208 Bodysherd from a jug glazed light green and decorated with vertical incised lines.
PB05 Context 8
- 209 Bodysherd from a jug glazed green brown and decorated with applied notched strip glazed dark brown.
PB05 Context 8
- 210 Bodysherd from jug glazed green with incised lines.
PB05 Context 41 (13)
- 211 Bodysherd from jug glazed green with applied strip glazed brown and incised decoration.
PB05 Context 41 (14)
- 212 Bodysherd from jug glazed green brown with incised wavy lines.
PB05 Context 41 (15)

White Gritty Reduced Ware (*illus 61*)

- 213 Bodysherd from a jug glazed green decorated



Illus 62 Cuddyside, Peebles: 207 White Gritty Ware

- | | | |
|-----|---|---|
| | with incised wavy lines.
PB05 Context 8 (9) | applied pellet glazed green brown.
PB05 Context 40 (12) |
| 214 | Bodysherd from jug glazed green with incised wavy lines.
PB05 Context 8 (10) | 217 Strap handle glazed green with vertical strips.
PB05 Context 8 |
| 215 | Bodysherds from jug glazed green brown with applied decorative scales glazed brown.
PB05 Context 40 (11) | 218 Thumbed base from jug glazed dark green.
PB05 Context 19 |
| 216 | Bodysherd from jug glazed green brown with | 219 Frilled base from jug glazed green brown.
PB05 Context 32 |